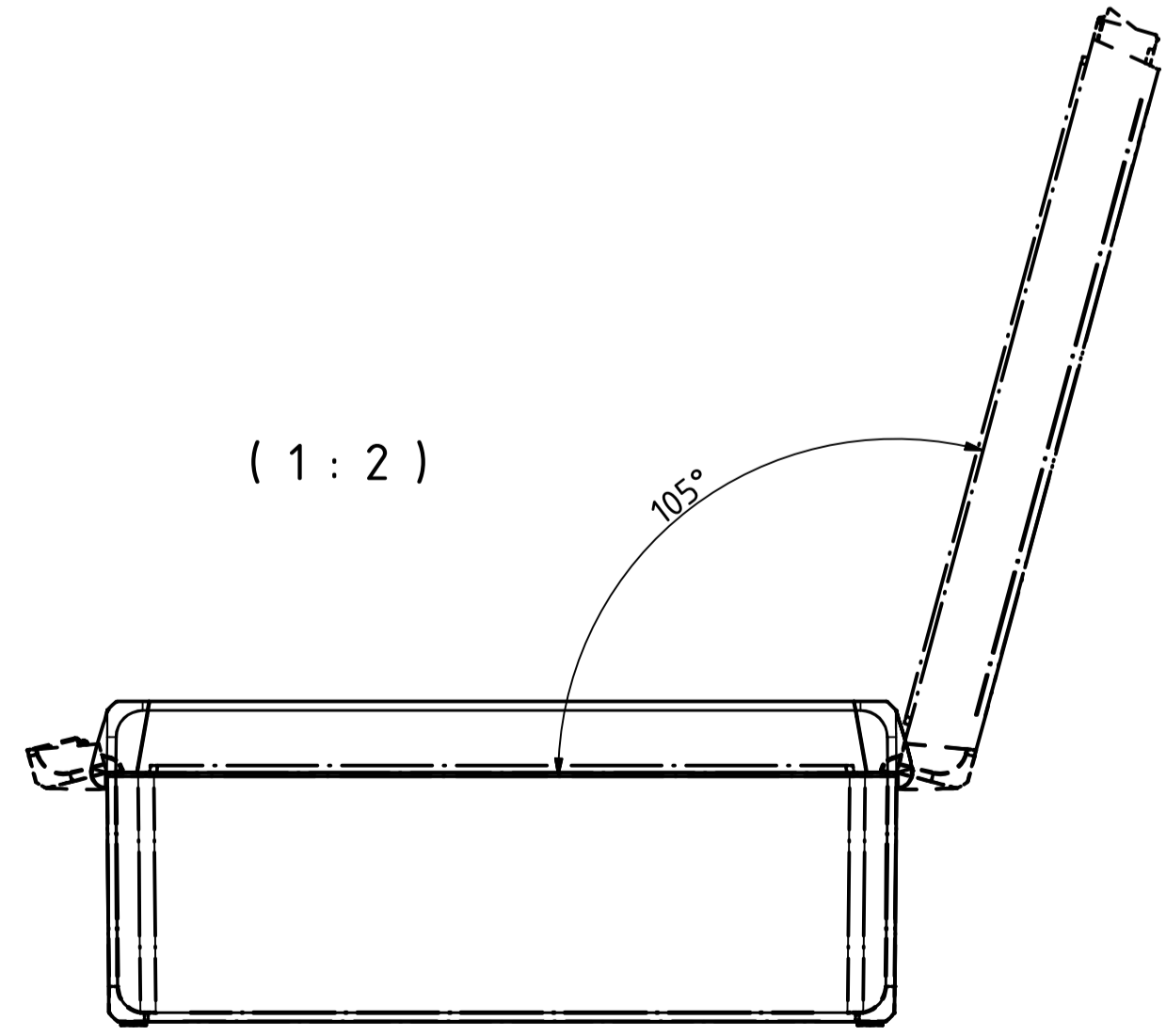
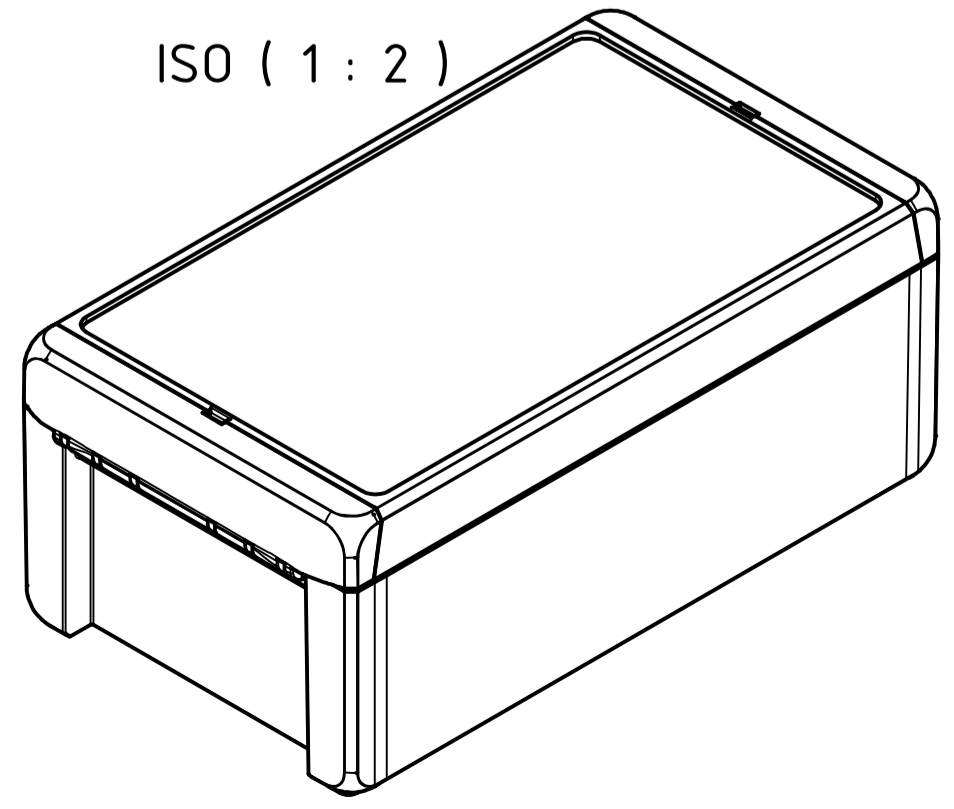
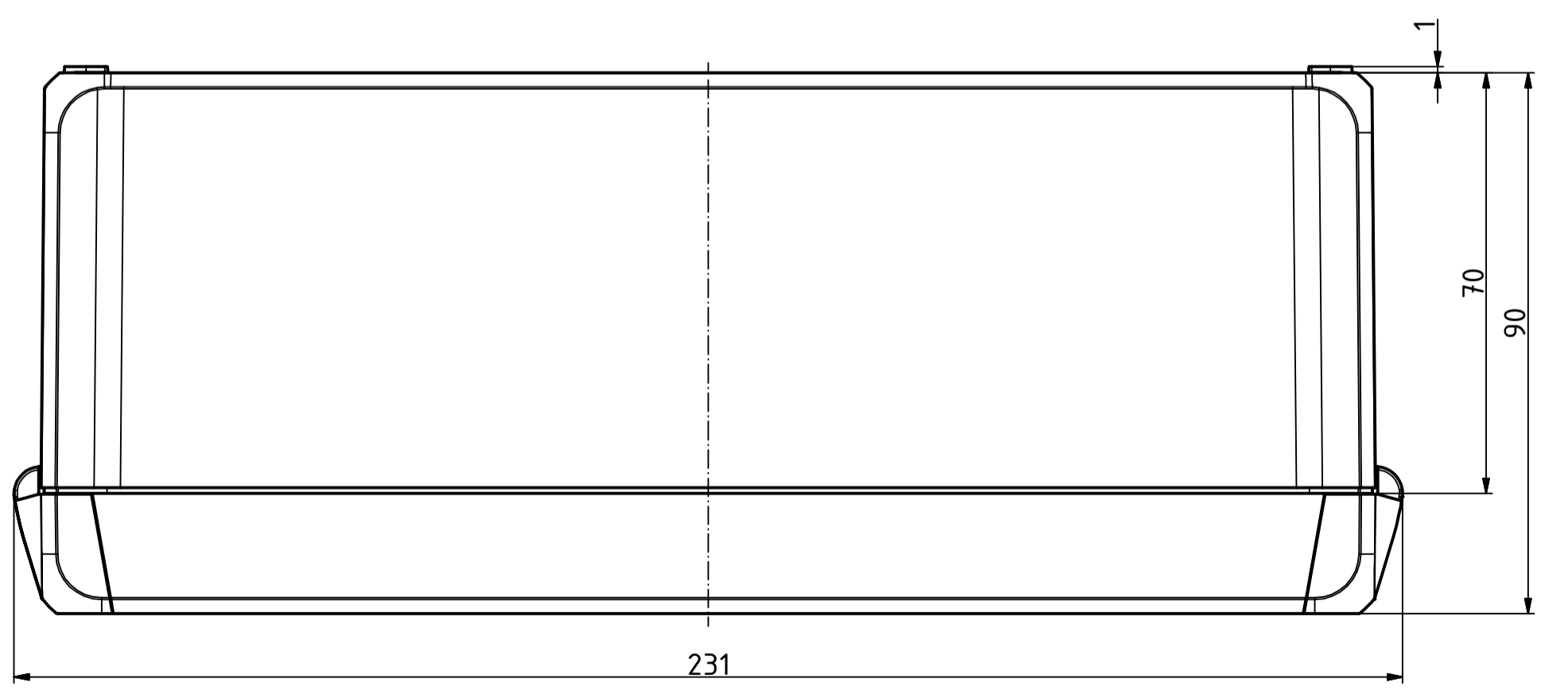
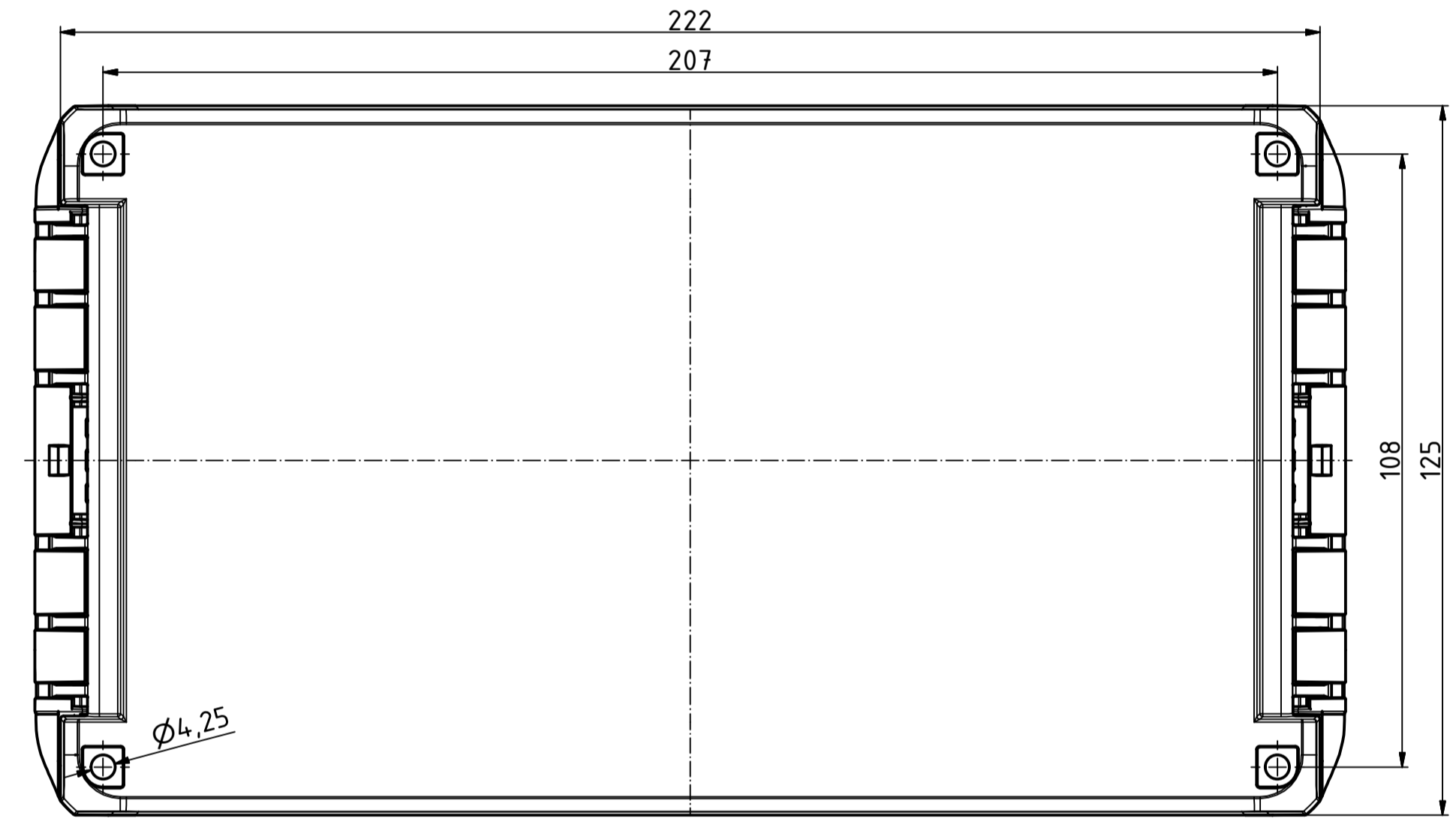
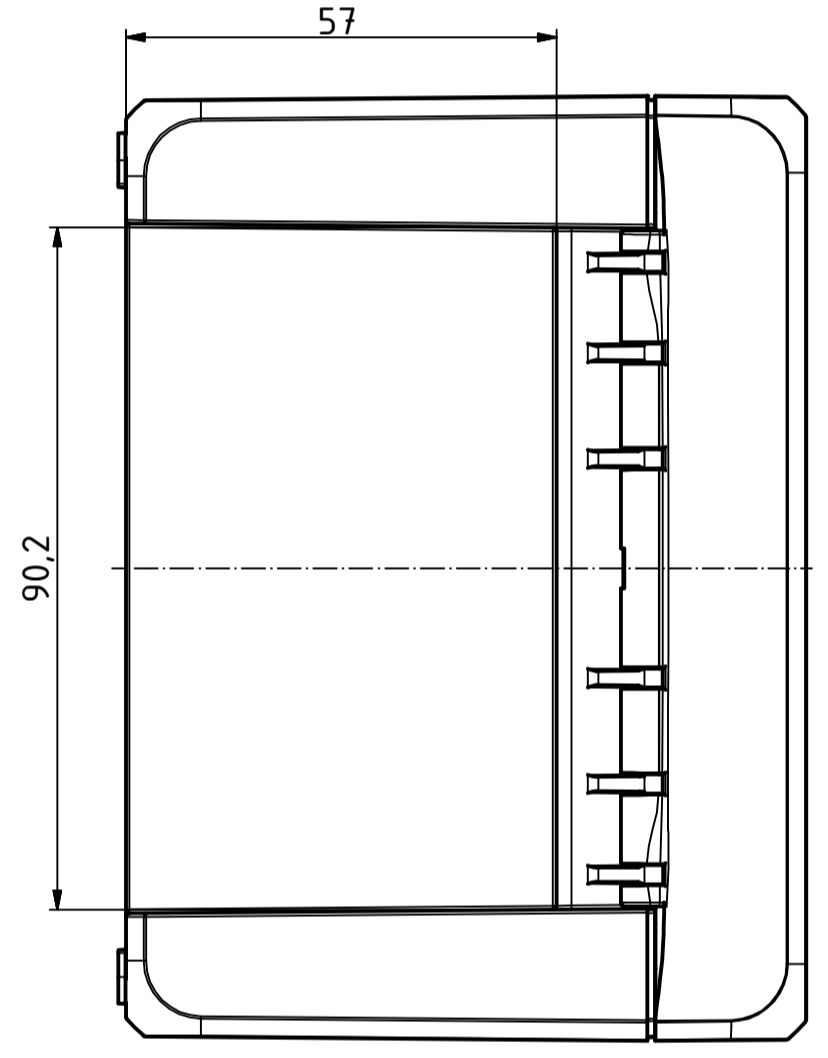
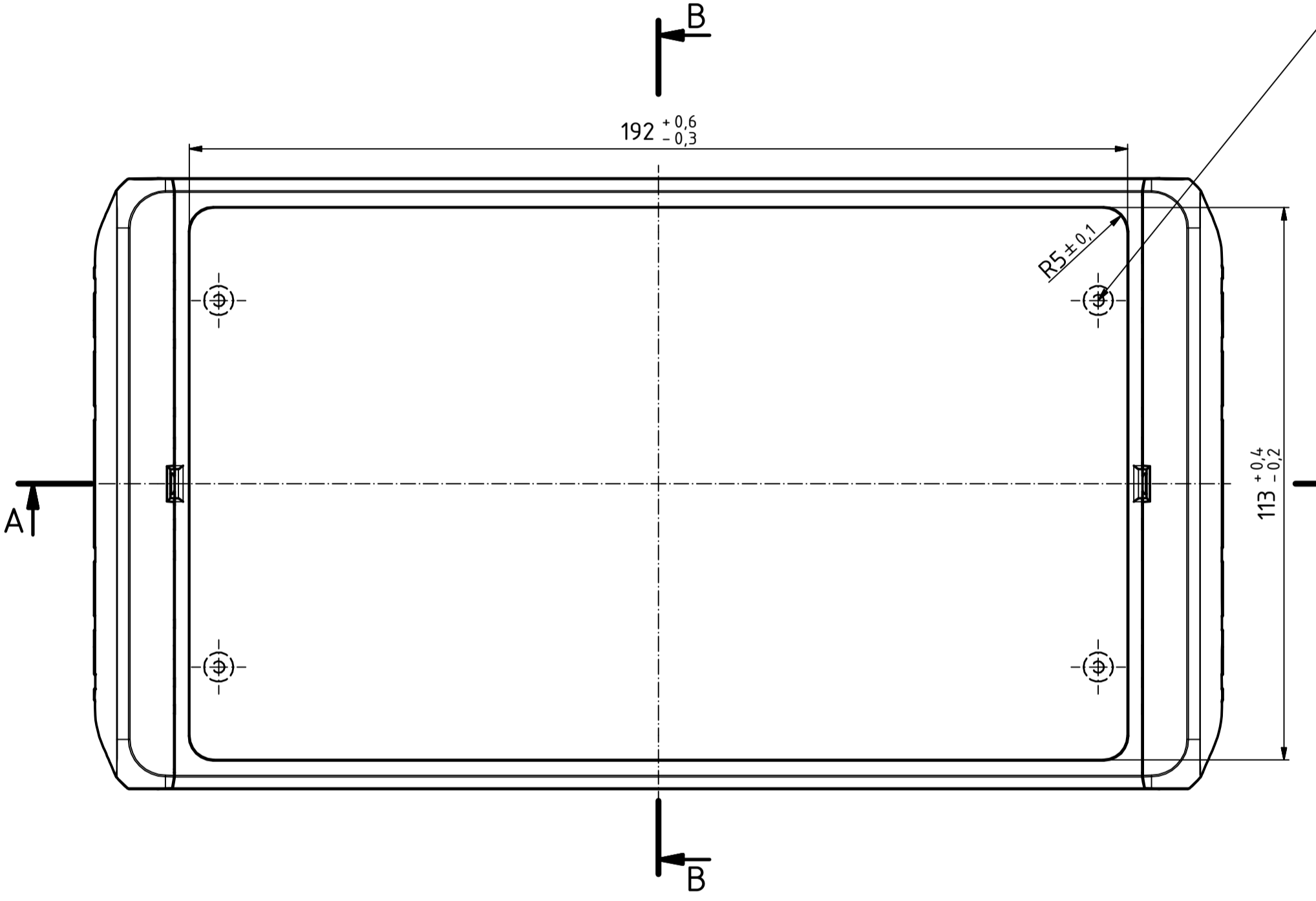
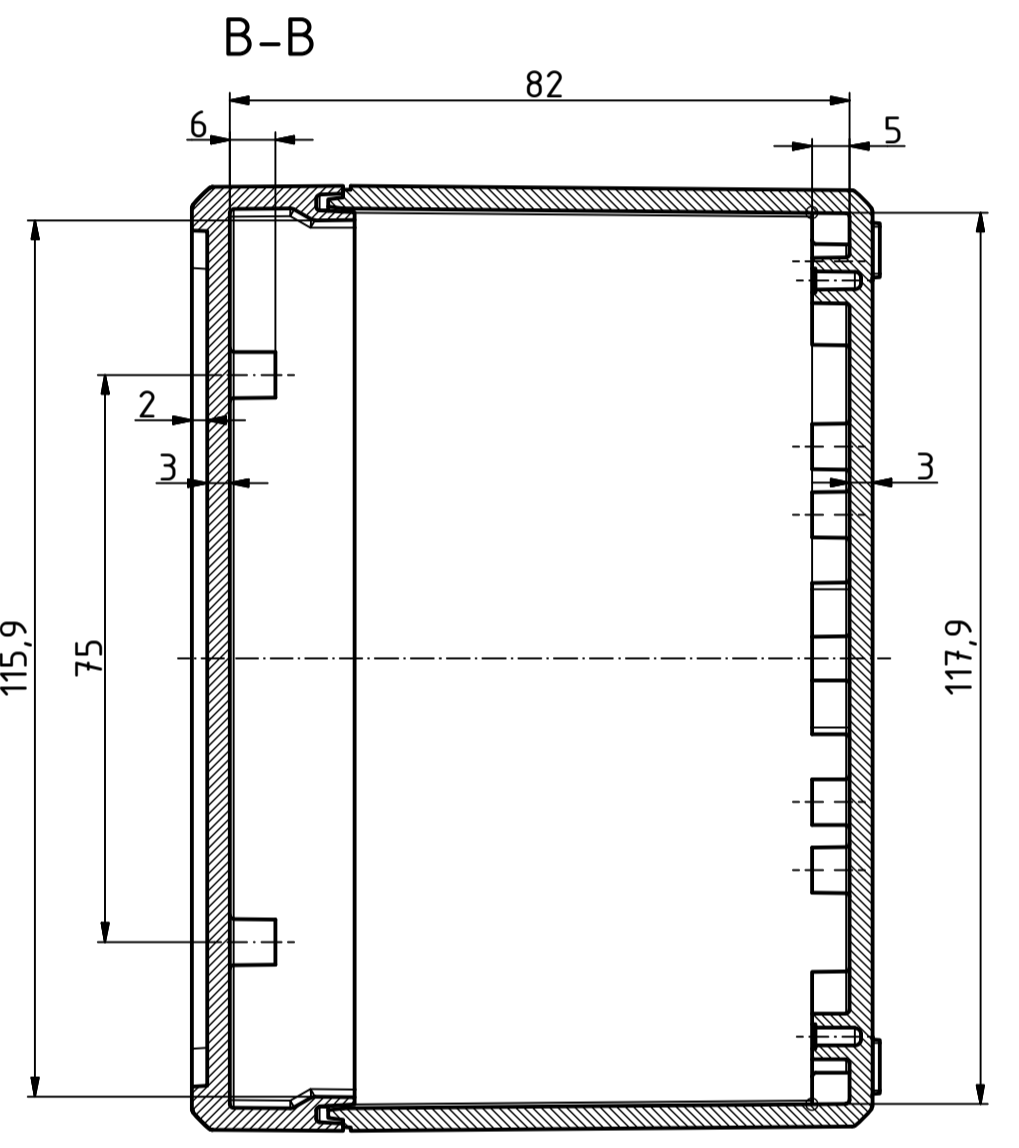
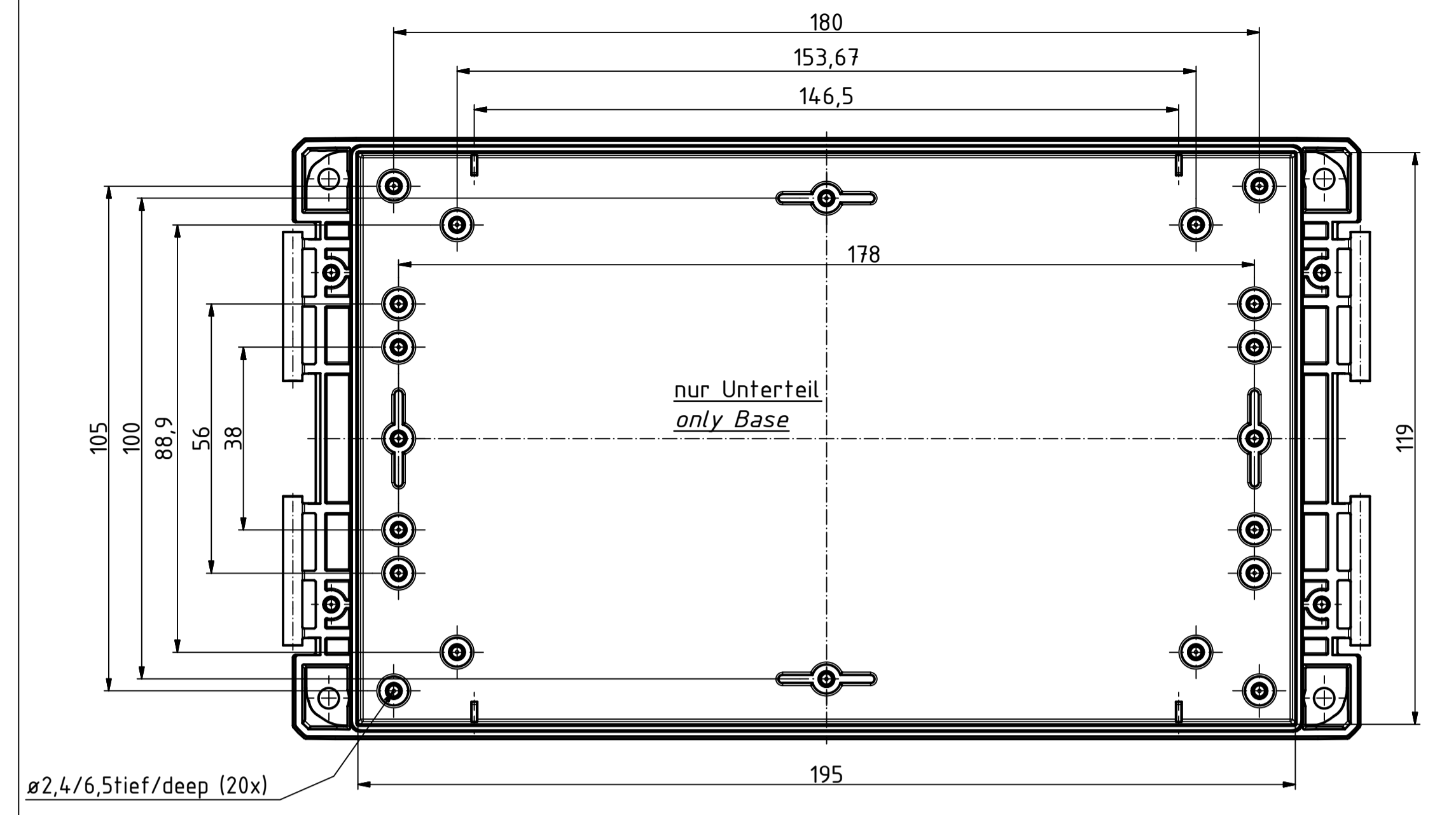
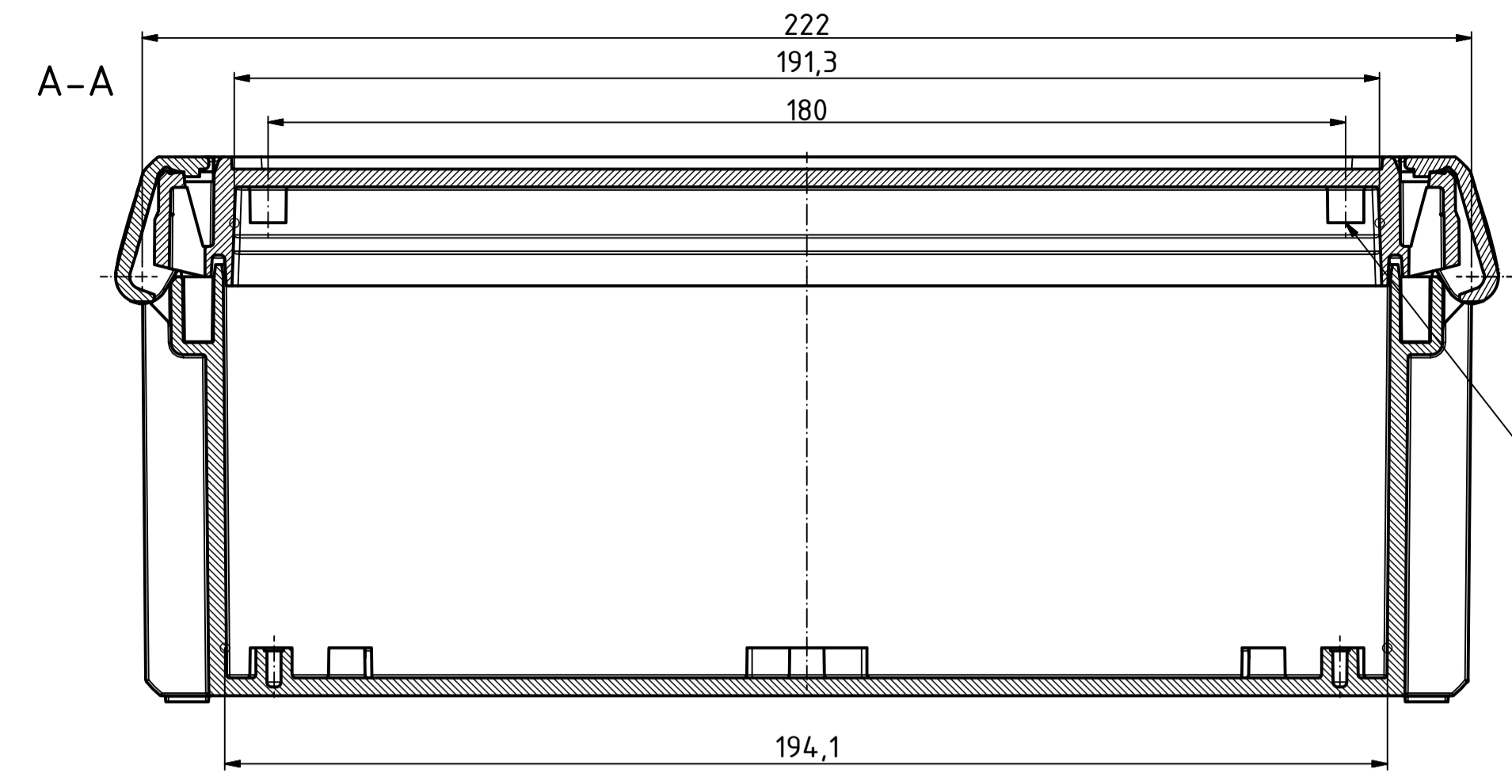


"Schutzvermerk nach DIN ISO 16016 beachten" - "Please pay attention to copyright note DIN ISO 16016"



|                               |              |                    |                                   |
|-------------------------------|--------------|--------------------|-----------------------------------|
| Maßstab/<br>Scale:            |              | 1:1, 1:2           |                                   |
| Zeichnungs-Nr. / Drawing-No.: |              | 1K 5390.038.03     |                                   |
| Artikel / Article:            |              | BOCUBE<br>B-221309 |                                   |
| Katalogzg./Catalogue draw.    |              |                    |                                   |
| A Nr /<br>Art. No.            | 4105<br>4027 | Datum/<br>Date:    | 08.09.2014<br>11.12.2012          |
| DISK:                         |              | 2503383.idw        |                                   |
| Datum/Date:                   |              | 22.06.2012         | KH                                |
|                               |              |                    | BOPLA<br>A Phoenix Mecano Company |