

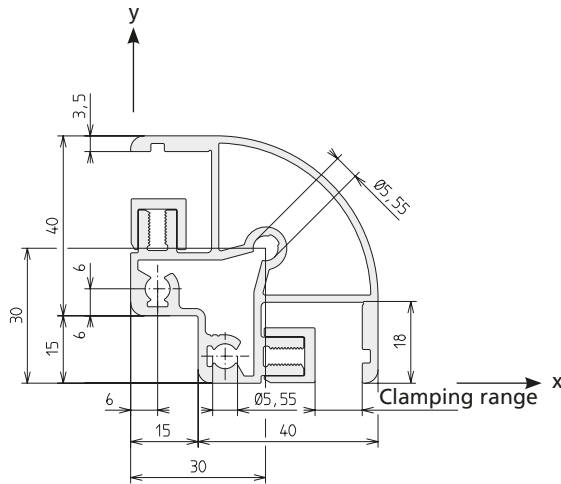
Functional profiles

Frame profiles / size 40

Order instruction:

- Purchase only in lot sizes and a multiple of that see product table below

Clamping profile K LW 40-90

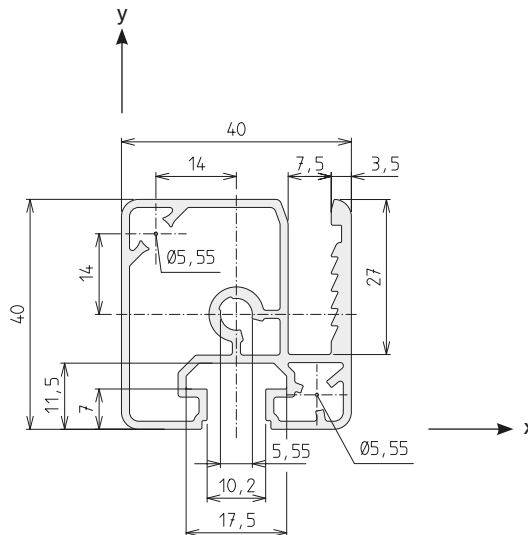


| | | |
|----------------|------|-----------------|
| Area | 774 | mm ² |
| I _x | 17.3 | cm ⁴ |
| I _y | 17.3 | cm ⁴ |
| W _x | 5.8 | cm ³ |
| W _y | 5.8 | cm ³ |
| Weight | 1767 | g/m |

| Code No. Clamping profile K LW 40-90 | | | Clamping range | Anodised |
|--------------------------------------|-------------|--------------|----------------|----------|
| 4485100 | Cut to size | max. 6000 mm | 0-6 mm | Clear |
| 4485101 | Bar | 6000 mm | 0-6 mm | Clear |
| 4485000 | Cut to size | max. 6000 mm | 4-10 mm | Clear |
| 4485001 | Bar | 6000 mm | 4-10 mm | Clear |

| Code No. Corner joint | Type | lot sizes |
|-----------------------|------------|-----------|
| 4482406 | K LW 40-90 | - |

ESP 40x40



| | | |
|----------------|------|-----------------|
| Area | 405 | mm ² |
| I _x | 6.1 | cm ⁴ |
| I _y | 7.3 | cm ⁴ |
| W _x | 2.7 | cm ³ |
| W _y | 3.5 | cm ³ |
| Weight | 1095 | g/m |

| Code No. Inserting profile ESP 40x40 | | | Anodised |
|--------------------------------------|-------------|--------------|----------|
| 4905000 | Cut to size | max. 6000 mm | Clear |
| 4905001 | Bar | 6000 mm | Clear |

| Code No. | Type | lot sizes |
|----------|--|-----------------|
| 4212406 | Corner joint KL 40 | 4, 8, 12... pcs |
| 4016579 | Wire mesh 40x40x3.8 Galvanised steel, max. size 2x3 m | - |