

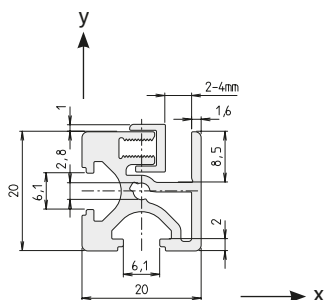
Functional profiles

Special profiles M-BLOCAN®/ size 20

Order instruction:

- Purchase only in lot sizes and a multiple of that see product table below

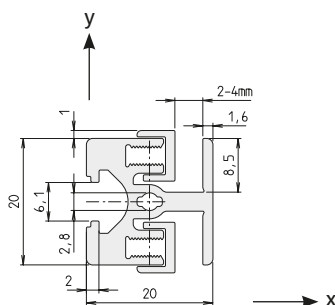
Clamping profile KL 20x20



Area	183	mm ²
I_x	0.70	cm ⁴
I_y	0.70	cm ⁴
W_x	0.80	cm ³
W_y	0.80	cm ³
Weight	493	g/m

Code No. Profile KL 20x20			Anodised
E04000BBB	Cut to size	max. 3000 mm	Clear
E04000BBD	Bar	3000 mm	Clear
Code No. Corner joint	Type	lot sizes	
E04036BHE	KL 20x20	-	

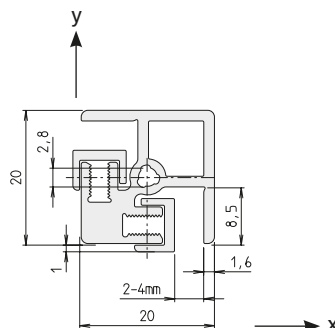
Clamping profile KLD 20x20



Area	186	mm ²
I_x	0.70	cm ⁴
I_y	0.70	cm ⁴
W_x	0.70	cm ³
W_y	0.80	cm ³
Weight	00	g/m

Code No. Profile KLD 20x20			Anodised
E05000BBB	Cut to size	max. 3000 mm	Clear
E05000BBD	Bar	3000 mm	Clear
Code No. Corner joint	Type	lot sizes	
E00041BHE	KLK 20x20	-	

Clamping profile KLE 20x20



Area	171	mm ²
I_x	0.70	cm ⁴
I_y	0.70	cm ⁴
W_x	0.60	cm ³
W_y	0.70	cm ³
Weight	462	g/m

Code No. Profile KLE 20x20			Anodised
E09000BBB	Cut to size	max. 3000 mm	Clear
E09000BBD	Bar	3000 mm	Clear
Code No. Corner joint	Type	lot sizes	
E09035BHE	KLE 20x20	-	