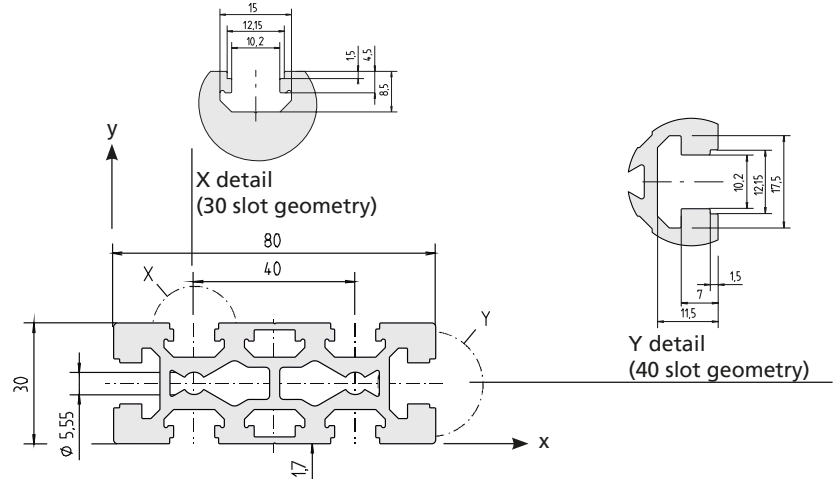
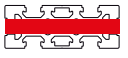



F-30x80


| Code No. F-30x80 profile | | | Anodised |
|--------------------------|-------------|--------------|----------|
| 4315000 | Cut to size | max. 6000 mm | Clear |
| 4315001 | Bar | 6000 mm | Clear |

| Connection | Connection to slot geometry | lot sizes | Code No. |
|--|-----------------------------|-------------------|----------|
|  long. | 30 | 10, 20, 30... pcs | 4316706 |
| | 40 | 10, 20, 30... pcs | 4246702 |
|  transverse | 30 | 10, 20, 30... pcs | 4176704 |
| | 40 | 10, 20, 30... pcs | 4176705 |

| | | |
|--------|------|-----------------|
| Area | 1151 | mm ² |
| I_x | 10.6 | cm ⁴ |
| I_y | 67.4 | cm ⁴ |
| I_t | 7.0 | cm ⁴ |
| W_x | 7.0 | cm ³ |
| W_y | 16.9 | cm ³ |
| Weight | 3100 | g/m |

For description of slot geometry, please see page 26