

TECHNICAL DATA:

General Data

| | |
|----------------------------|---|
| Force | Max. 10.000N |
| Speed adjustment | Max. 156mm/s |
| Stroke length | Min. 15mm - max. 1000mm |
| Installation dimension (A) | Smaller than stroke 400mm = stroke + 200mm greater or equal than stroke 400mm = stroke + 250mm |
| Duty cycle | 30% |
| Position feedback | Yes |
| Synchronous operation | Yes |
| Supply voltage | 12VDC, 24VDC |
| Intergrated limit switch | Yes |
| End position signal | Yes |
| Protection class | IP69K (static) |
| Self-locking | Up to nominal load |
| Storage temperature | -40°C bis +85°C |

Components

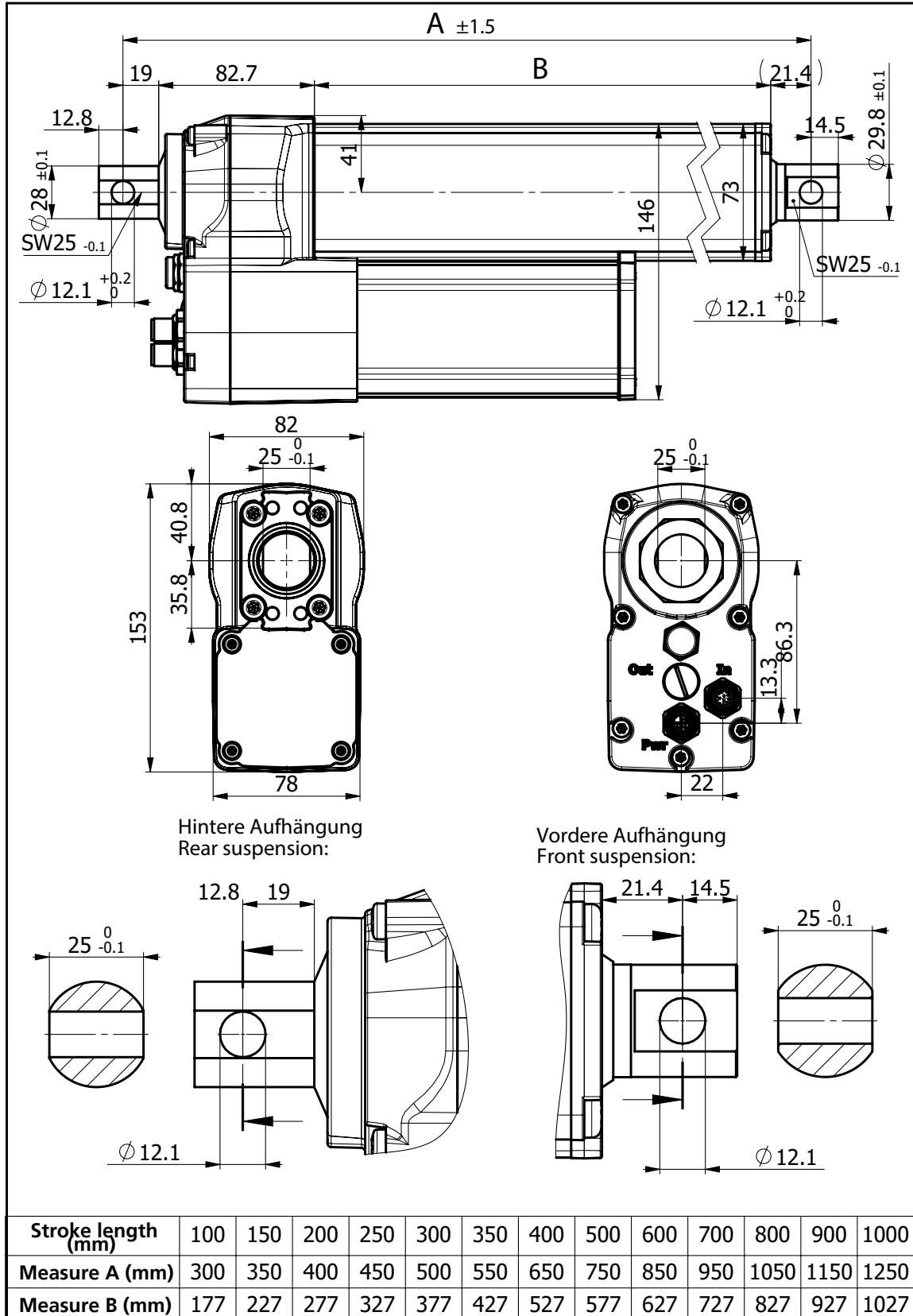
| | |
|--------------------|--|
| Rod end | Stainless steel, hole 12.1mm |
| Housing end | Stainless steel, hole 12.1mm |
| Lift tube material | Stainless steel |
| Housing material | Die-cast aluminum, anodized aluminum profile |
| Housing colour | Similar to RAL 9005, black |
| Stroke pipe | Stainless steel |
| Connection | Connector M12 |
| Cable length | 3m, 5m, 10m |
| Options | Suspensions individually selectable Special strokes adjustable ex works Special strokes adjustable by customer |

TECHNICAL DATA:

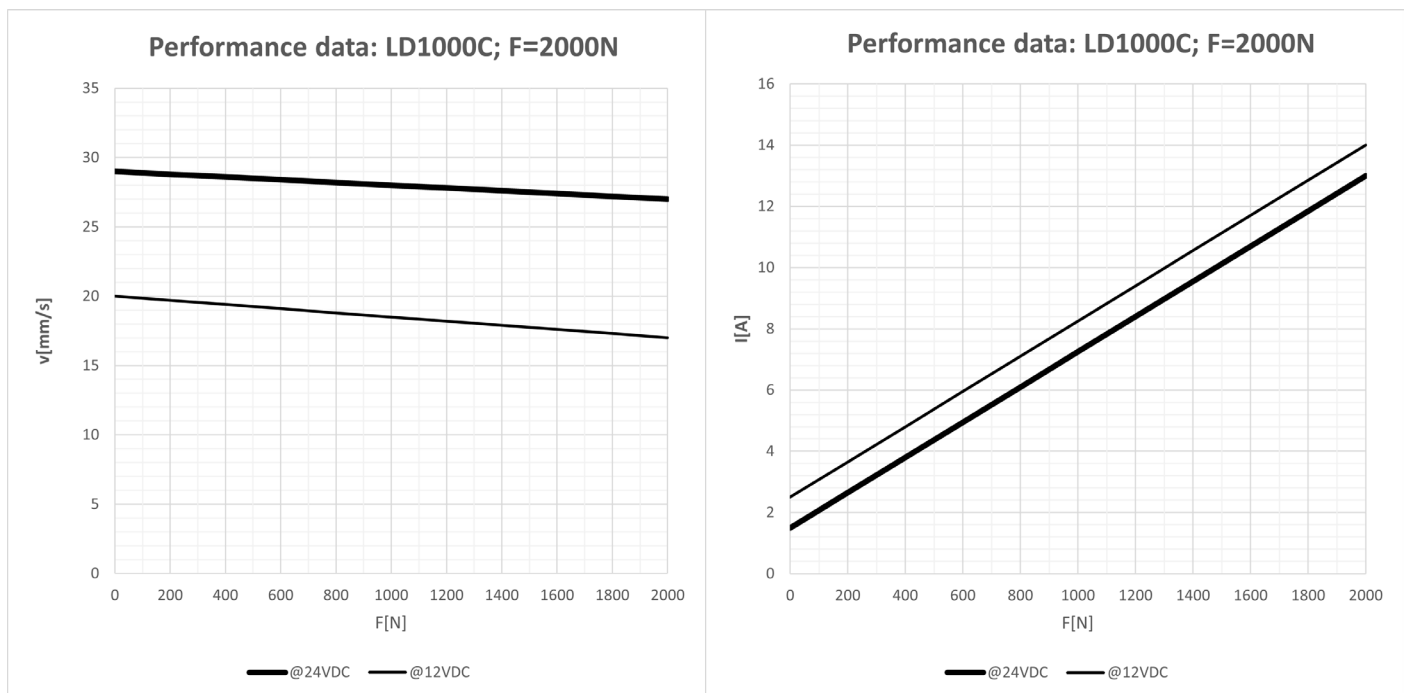
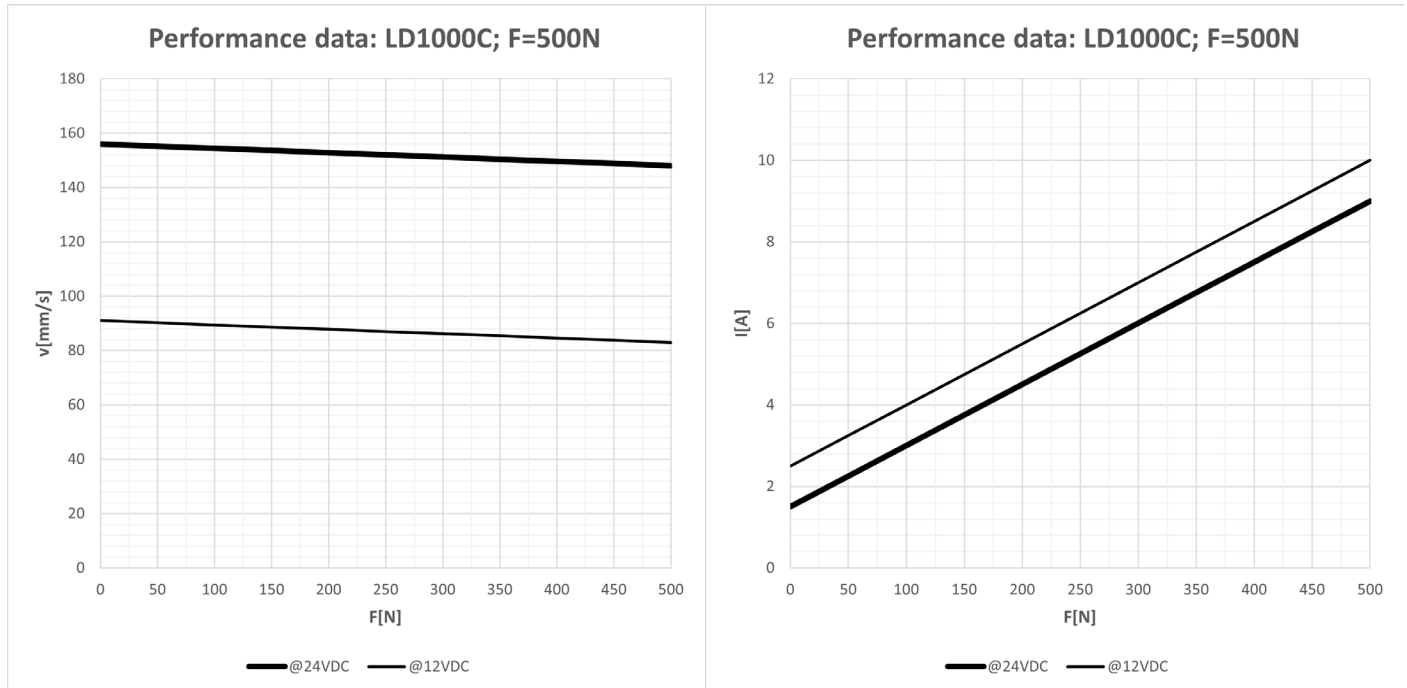
More data

| | |
|-------------------------------|---|
| Control / Regulation | Programmable start/stop ramps Speed control Configurable speed Hand Switch PLC |
| Position feedback | End position feedback potential bound End position feedback potential-free Absolute position measuring system Analog position feedback Position feedback communication Communication interface |
| Internal protection mechanism | Power shutdown Temperature monitoring |

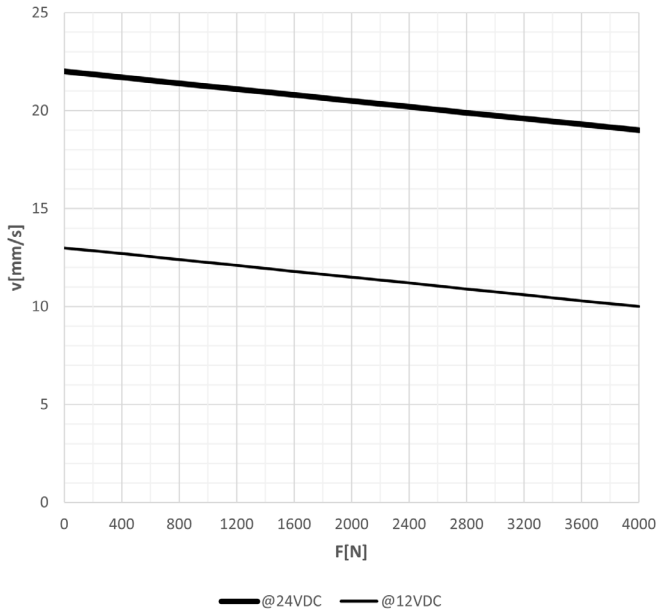
TECHNICAL DRAWING:



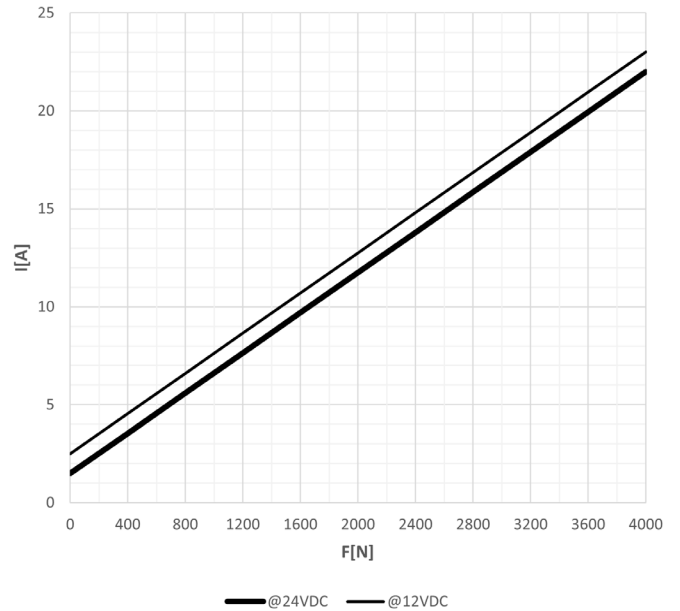
PERFORMANCE DATA:



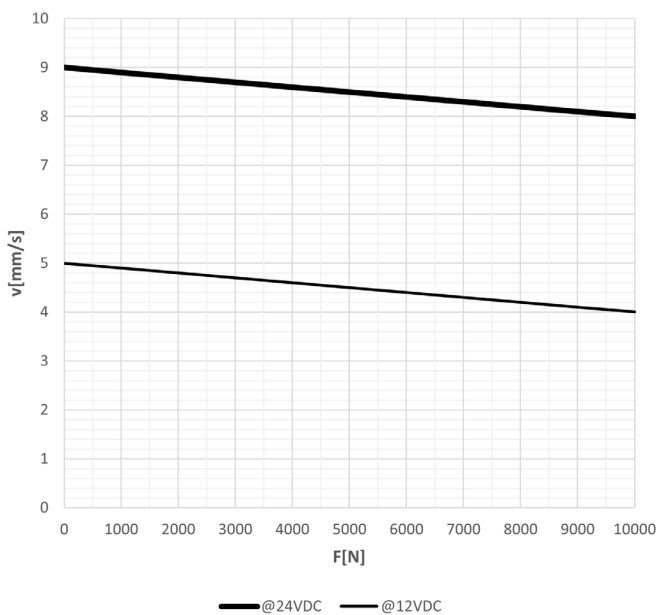
Performance data: LD1000C; F=4000N



Performance data: LD1000C; F=4000N



Performance data: LD1000C; F=10000N



Performance data: LD1000C; F=10000N

