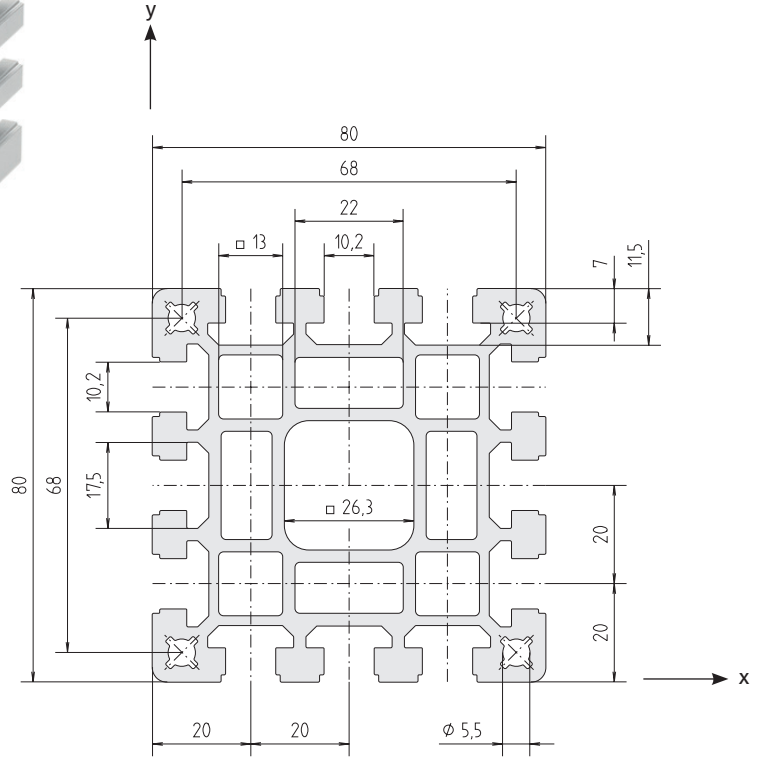
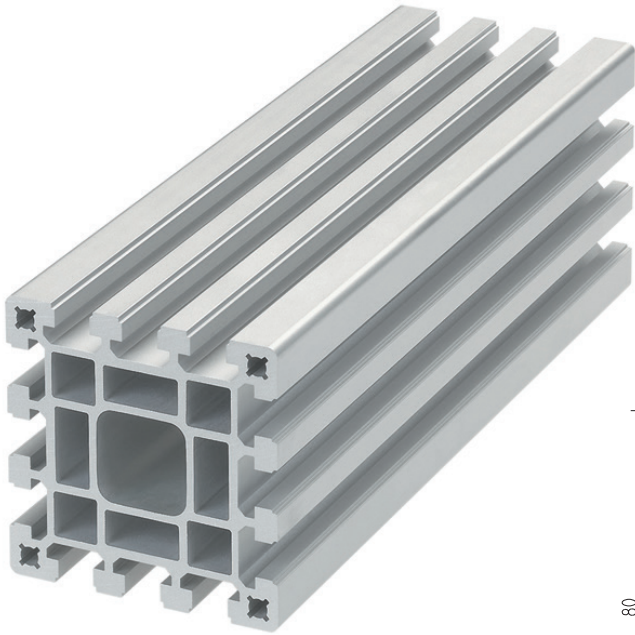
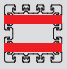
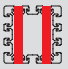


**S-80x80**



Area	2154	mm <sup>2</sup>
I <sub>x</sub>	136,6	cm <sup>4</sup>
I <sub>y</sub>	136,6	cm <sup>4</sup>
W <sub>x</sub>	34,1	cm <sup>3</sup>
W <sub>y</sub>	34,1	cm <sup>3</sup>
Weight	5817	g/m

Code No. profile S-80x80			Anodised
4045000	Cut to size	max. 6000 mm	Clear
4045001	Bar	à 6000 mm	Clear

Connection	Quantity required per conn.	Slot geometry	Hidden bracket	Slot stone	Code No. /unit
  <b>long. + transverse</b>	2 units	40	80	-L-	4036500
	2 units	40	80	-F-	4036700

Description slot geometry see page 9